

Receiver

From

Company
Reference
Address
Phone
Fax
E-mail

Item n° : Customer pos. no.:

60182213

Model :

VS 65/150

Pump data

Pressure rating : 1 MPa

Min. fluid temperature : -10 °C

Max. fluid temperature : 85 °C

Minimum suction head :

Temperature °C

Minimum suction head : m

Requested data

Flow :

Head :

Fluid (%) :

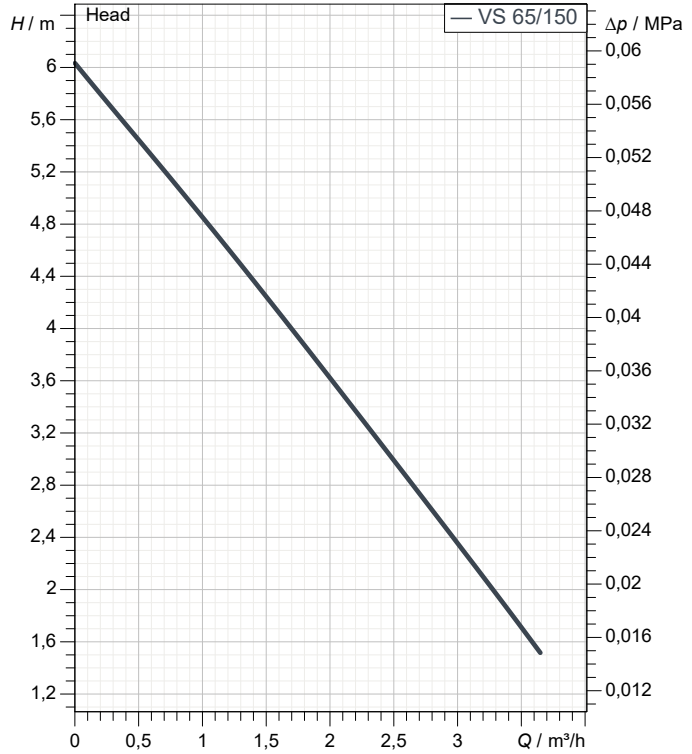
Fluid Temperature : 20 °C

Density : 998,3 kg/m³

Kinematic viscosity : 1,005 mm²/s

Vapor pressure : 0,00 MPa

Curve tolerance according to ISO 9906



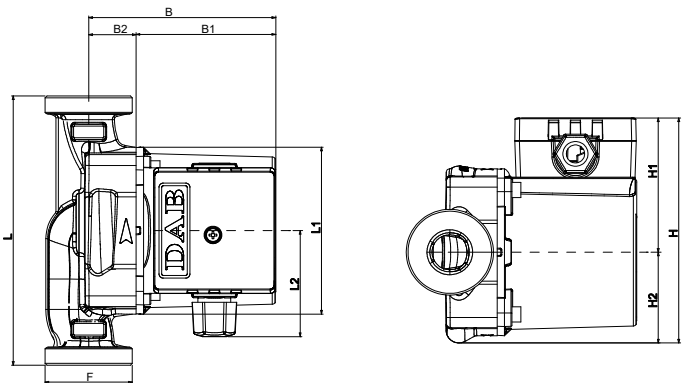
Hydraulic data (duty point)

Flow :

Head :

Materials

Pump body	Bronze
Impeller	Technopolymer
Motor shaft	Ceramic
Air vent plug	Brass
Seal ring	Etylene propylene
Motor casing	Die cast aluminium
Stator jacket	Stainless steel



Motor data

Motor brand : DAB

Power input P1 : 0,077 kW

Rated speed : 2.317 1/min

Rated voltage : 1~ 230 V 50 Hz

Nominal current : 0,34 A

Degree of protection : IP 44

Dimensions in mm

B	104	H	124	L1	98
B1	78	H1	75	L2	60
B2	26	H2	49		
F	1 1/2" G	L	150		

Weight : 2,6 kg

Pump connection

Suction side : 1 " 1/2" G / 1 MPa

Discharge side : 1 " 1/2" G / 1 MPa



PERFORMANCE CURVES

2023-07-05

Page 2 / 3

DAB PUMPS S.p.A.
 Via Marco Polo, 14 - 35035 Mestrino (PD), Italy
 Tel. +39 049 5125000 - Fax +39 049 5125950
 www.dabpumps.com

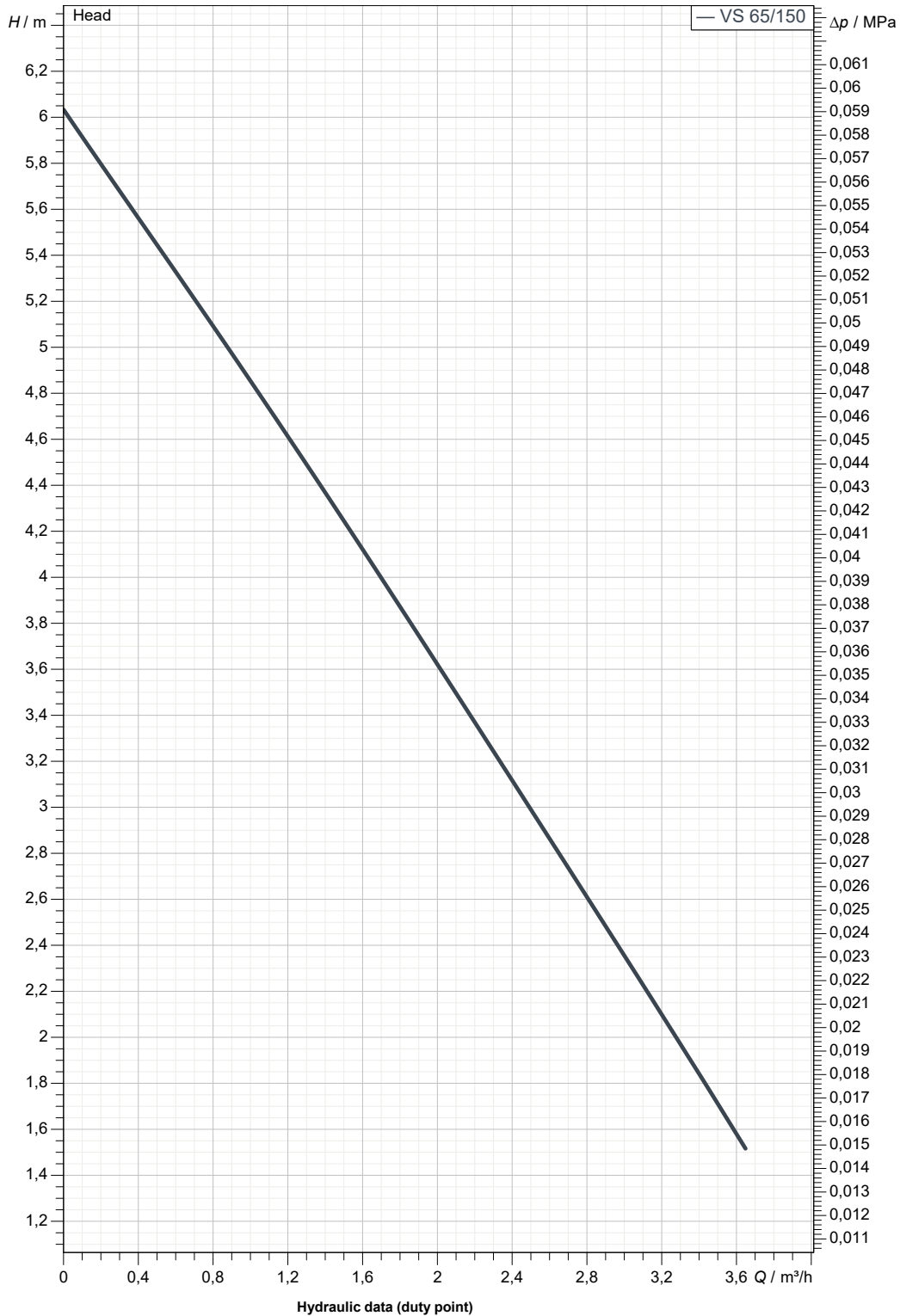
Receiver

From

Company
 Reference
 Address
 Phone
 Fax
 E-mail

VS 65/150

Curve tolerance according to ISO 9906



Suction side :
 1" 1/2 G
 1 MPa

Discharge side :
 1" 1/2 G
 1 MPa

Flow :

Head :

Rated speed :
 2.317 1/min

MAIN_PROJECT_TITLE

BUSINESS_PROCESS_ID

OWNER_

ISSUE_DATE
 2023-07-05



DIMENSIONAL DRAWING

2023-07-05

Page 3 / 3

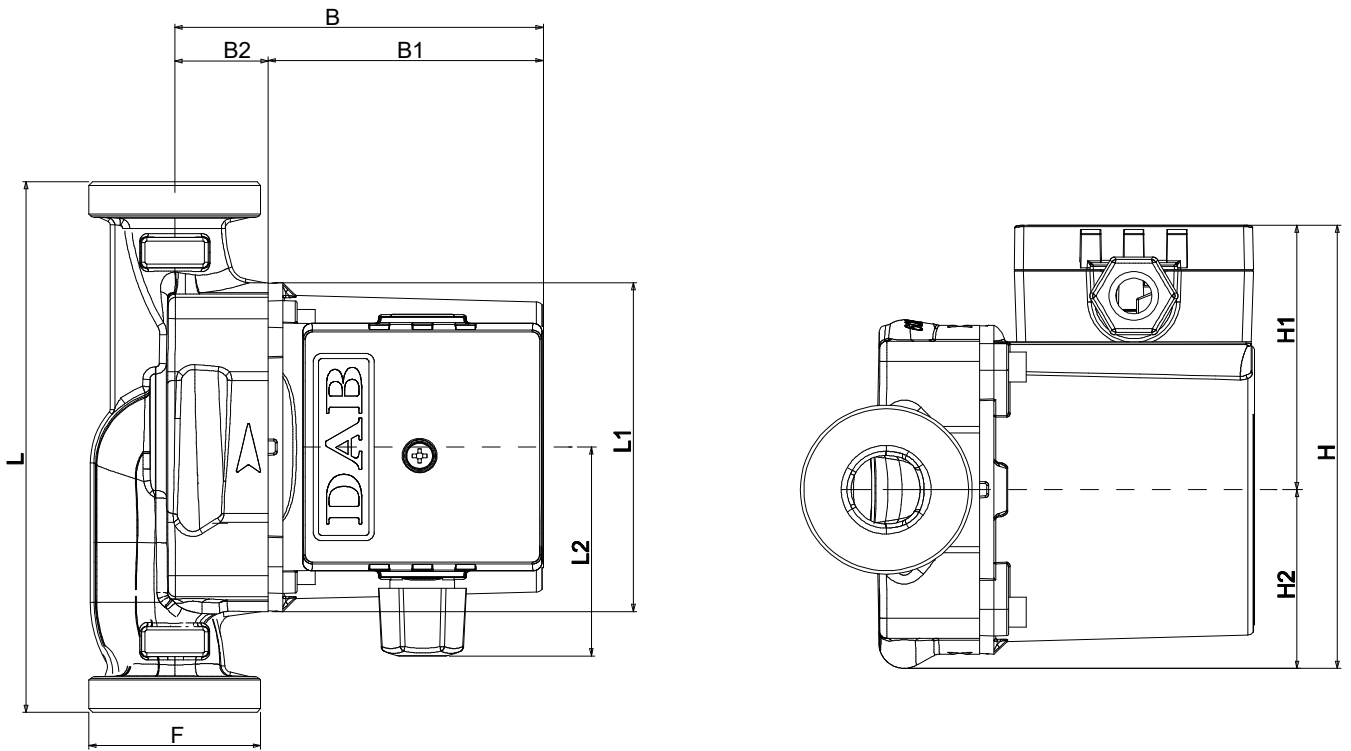
DAB PUMPS S.p.A.
Via Marco Polo, 14 - 35035 Mestrino (PD), Italy
Tel. +39 049 5125000 - Fax +39 049 5125950
www.dabpumps.com

Receiver

From

Company
Reference
Address
Phone
Fax
E-mail

VS 65/150



Dimensions in mm

Pump connection

1	B	104							
2	B1	78							Suction
3	B2	26							1" 1/2 G
4	F	1 1/2" G							1 MPa
5	H	124							Discharge
6	H1	75							1" 1/2 G
7	H2	49							1 MPa
8	L	150							
9	L1	98							
10	L2	60							
11									

MAIN_PROJECT_TITLE

BUSINESS_PROCESS_ID

OWNER

ISSUE_DATE

2023-07-05